

A

B

C

D

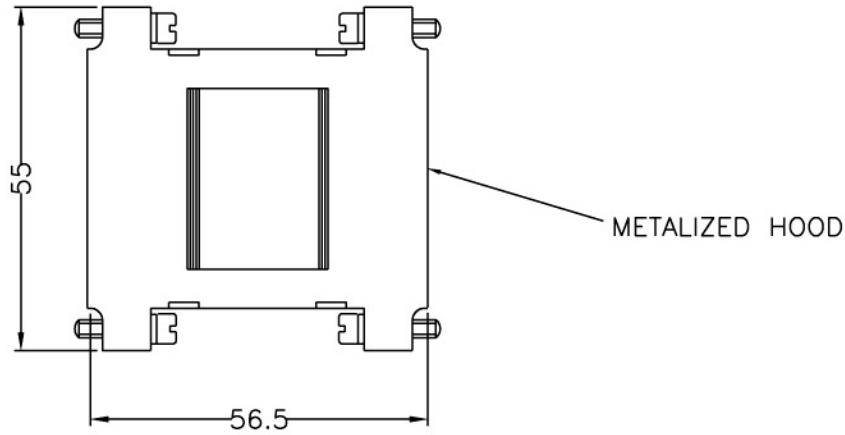
E

F

DATE	BY	REVISION

4
3
2
1

4
3
2
1



DATE	21 MAY,2003	PARTS NO	AB 939
UNIT	MM	DRAWN NO	N1490
SCALE		BUYER NO	002

TITLE: ADAPTER
DB25 SNAP HOOD
AB939

DRAWN	Y.C.C 5/21	CHECK		APPRO	
ASSMANN Electronics, Inc.					